

Weightronic

OCS-C3
OCS-C4
增强型电子吊秤
ENHANCED TYPE

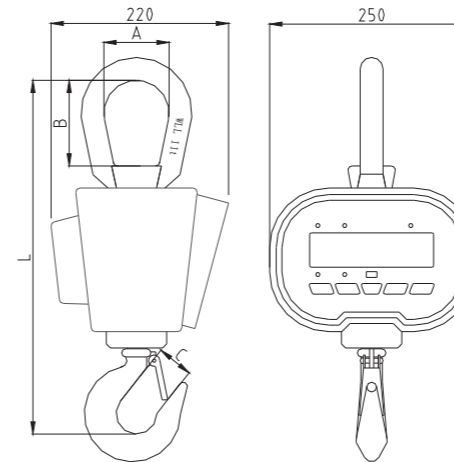
产品特点 Features

- ◆ 优质合金钢载荷部件
High-quality alloy steel load receptor
- ◆ 铸铝合金机壳
Aluminum enclosure
- ◆ 字高38mm LED 显示屏 (C3)
38mm LED display (C3)
- ◆ 字高30mm LCD 背光显示屏 (C4)
30mm LCD display with backlight (C4)
- ◆ 高强度固定式吊环
High-duty fixed shackle
- ◆ 高强度旋转式吊钩
High-duty rotatable hook
- ◆ 更换式充电电池
High capacity rechargeable battery
- ◆ 防水型面板按键
Water-proof panel button
- ◆ 红外遥控器
Infrared remote controlling
- ◆ 系列规格: 1000kg~5000kg
Capacity: 1000kg ~5000kg



专利号 Patent No.: ZL 2004 3 0084519

相关尺寸和净重 Dimension and Net Weight



Max. Cap.	A (mm)	B (mm)	C (mm)	L (mm)	N.W. (kg)
1000kg	70	100	35	420	11.5
2000kg	70	100	35	420	11.5
3000kg	70	100	35	420	11.5
5000kg	85	115	40	480	15

► 如有改进之处, 仍以实物为准。
Any difference, subject to the actual dimension.

主要功能 Functions

- 置零
- 去皮/复皮
- 示值保持/解除
- 欠压警示
- 电池电压检测
- 超载警示/记录
- 任意砝码数字校准
- 线性多点修正
- 公斤/英镑切换
- 重力加速度设定
- Zero
- Tare In / Tare Out
- Hold
- Low Voltage Alarm
- Battery Supervision
- Overload Alarm / Record
- Digital Calibration
- 3-point Linearity Correction
- kg/lb Switch
- Gravity Acceleration Set

主要技术指标 Specification

准确度等级 Accuracy Class	OIML III 级
去皮范围 Tare Range	100%F.S.
置零范围 Zero Range	4%F.S.
安全载荷 Safe Overload	120%F.S.
极限载荷 Ultimate Overload	400%F.S.
超载报警值 Overload Alarm	100%F.S. +9e
电池规格 Battery	6V/3.2Ah
连续使用时间 Battery Life	> 80h
充电器规格 Adaptor	9V/1000mA
遥控器距离 Remote Distance	≥10m
温度范围 Temperature Range	-10°C~40°C

增强版功能 Enhanced Functions

- 预置皮重
- 累计/清除/总清
- 累计值查询
- 分度值切换
- 自动关机时间设定
- 空闲省电时间设定
- 显示亮度选择
- 显示速率选择
- 抗晃动设置
- Tare Set
- Total/Delete/Clear Total
- View Total
- Resolution Switch
- Auto-off Set
- Idle Set
- Display Luminance Set
- Display Speed Set
- Anti-Motion Set



可选配件 Optional Accessory



标准配件 Accessory



OCS-C3
SERIES: OCS-C4

