

RETAIL WEIGHING SOLUTION™



TCS series

Weighing scale

- LCD clear blue color back light display
- Suitable in any weighing domain



CAS

TCS series | Electronic weighing scale



Specification

Type	TCS-3	TCS-6	TCS-15	TCS-30
Capacity	3kg×0.1g	6kg×0.2g	15kg×0.5g	30kg×1g
Display digit	6 (weight)			
Display method	LCD			
Weighing method	weight			
Power	adaptor AC220V Rechargeable battery (6v, 3, 3AH)			
Operate temperature	-10°C ~ +40°C			
Plat size(mm)	293 (W) × 210 (D)			
Product size(mm)	320 (W) × 361 (D) × 137 (H)			
Product weight	4.2kg			

features

- easy to operate with stable function
- Auto switch off and with back light
- zero trace, whole way tare, easy to carry
- AC/DC rechargeable battery
- simple design



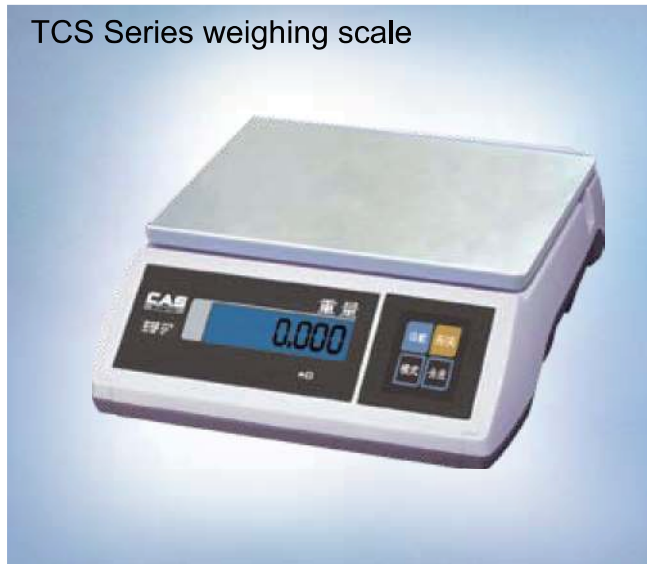
charge time: 80 hours



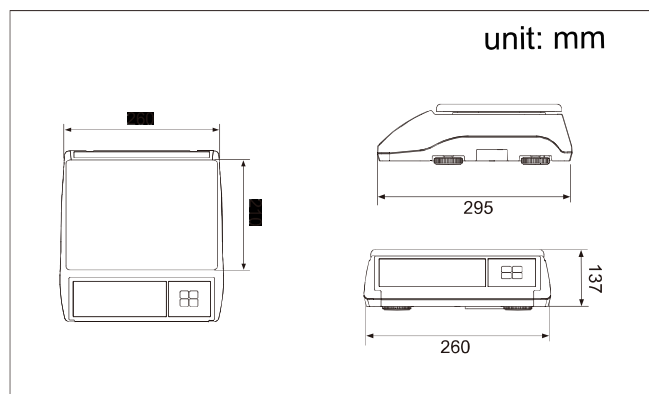
RS-232C interface

Standard

TCS Series weighing scale



size



CAS

CAS BLDG., # 440-1, SUNGNAE-DONG,
GANGDONG-GU, SEOUL, KOREA

TEL_82 2 2225 3500

FAX_82 2 475 4668

www.cas-china.com www.globalcas.com



Weightronic Technology Ltd.

G/F., 34 Nam Cheong Street,
Sham Shui Po, Kln., Hong Kong.

Tel: (852) 23818818 Fax: (852) 23919919

E-mail: sales@weightronic.com

Web Site: <http://www.weightronic.com>
www.磅.hk